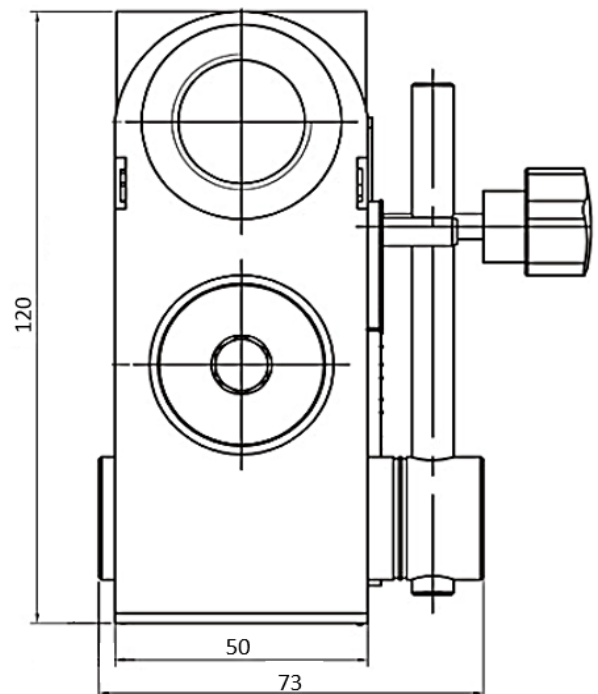
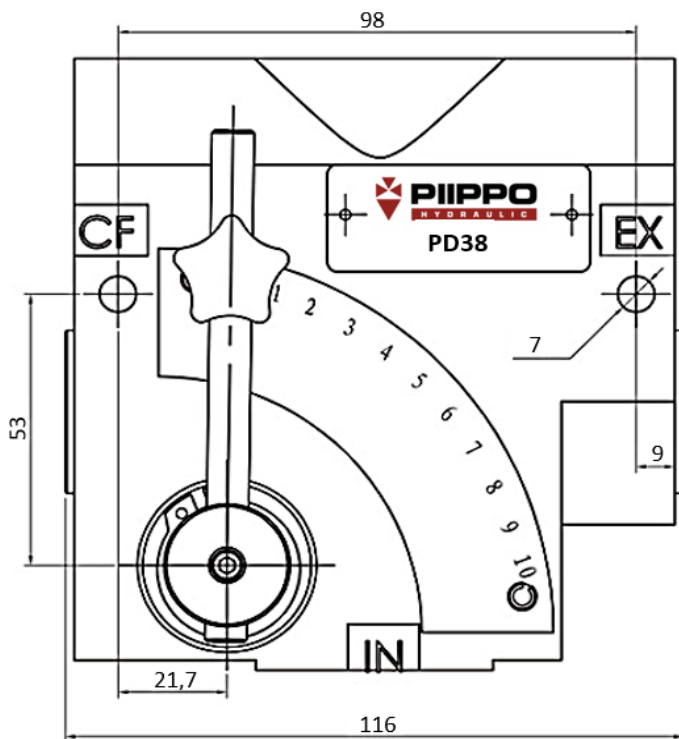
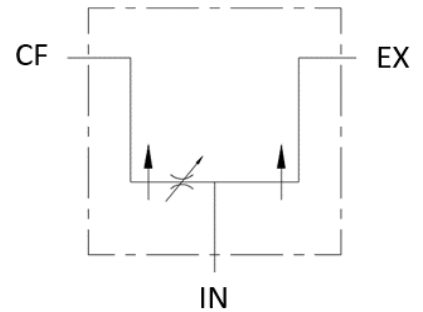


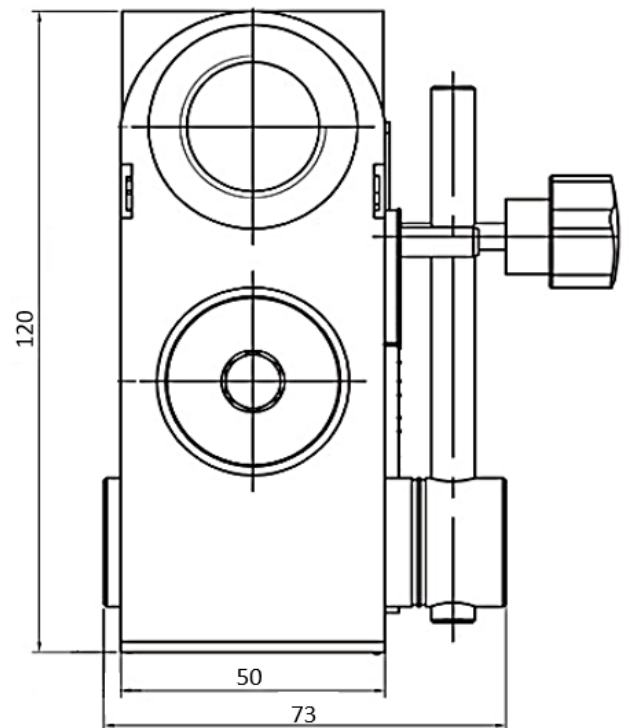
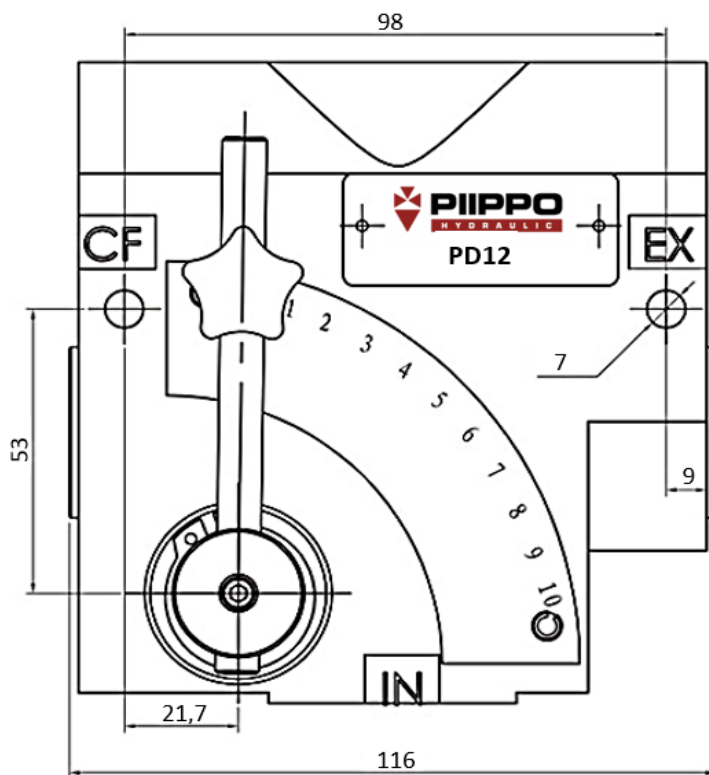
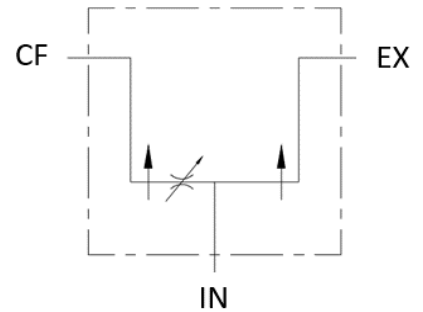
Flow rate control valve, pressure compensated

- connection R3/8"
- flow 30 l/min , djustment interval 0-30 l/min
- max. pressure 210 bar
- pressure compensated 3 way flow rate control valve
- IN = inlet, CF = controlled flow and EX = excess flow



Flow rate control valve, pressure compensated

- connection R1/2"
- flow 60 l/min , adjustment interval 0-60 l/min
- max. pressure 210 bar
- pressure compensated 3 way flow rate control valve
- IN = inlet, CF = controlled flow and EX = excess flow



Flow rate control valve, pressure compensated

- connection R3/4"
- flow 120 l/min , adjustment interval 0-120 l/min
- max. pressure 210 bar
- pressure compensated 3 way flow rate control valve
- IN = inlet, CF = controlled flow and EX = excess flow

